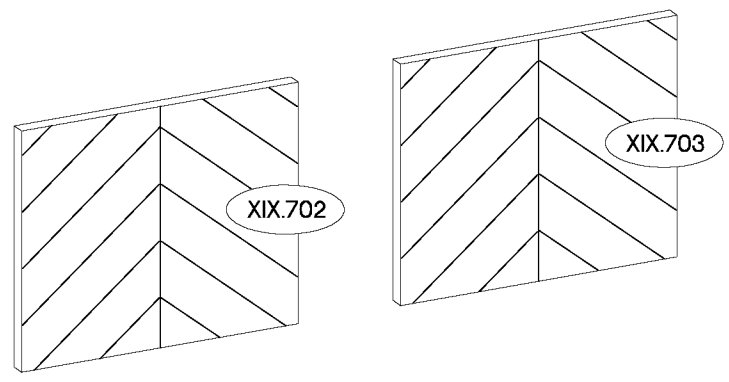
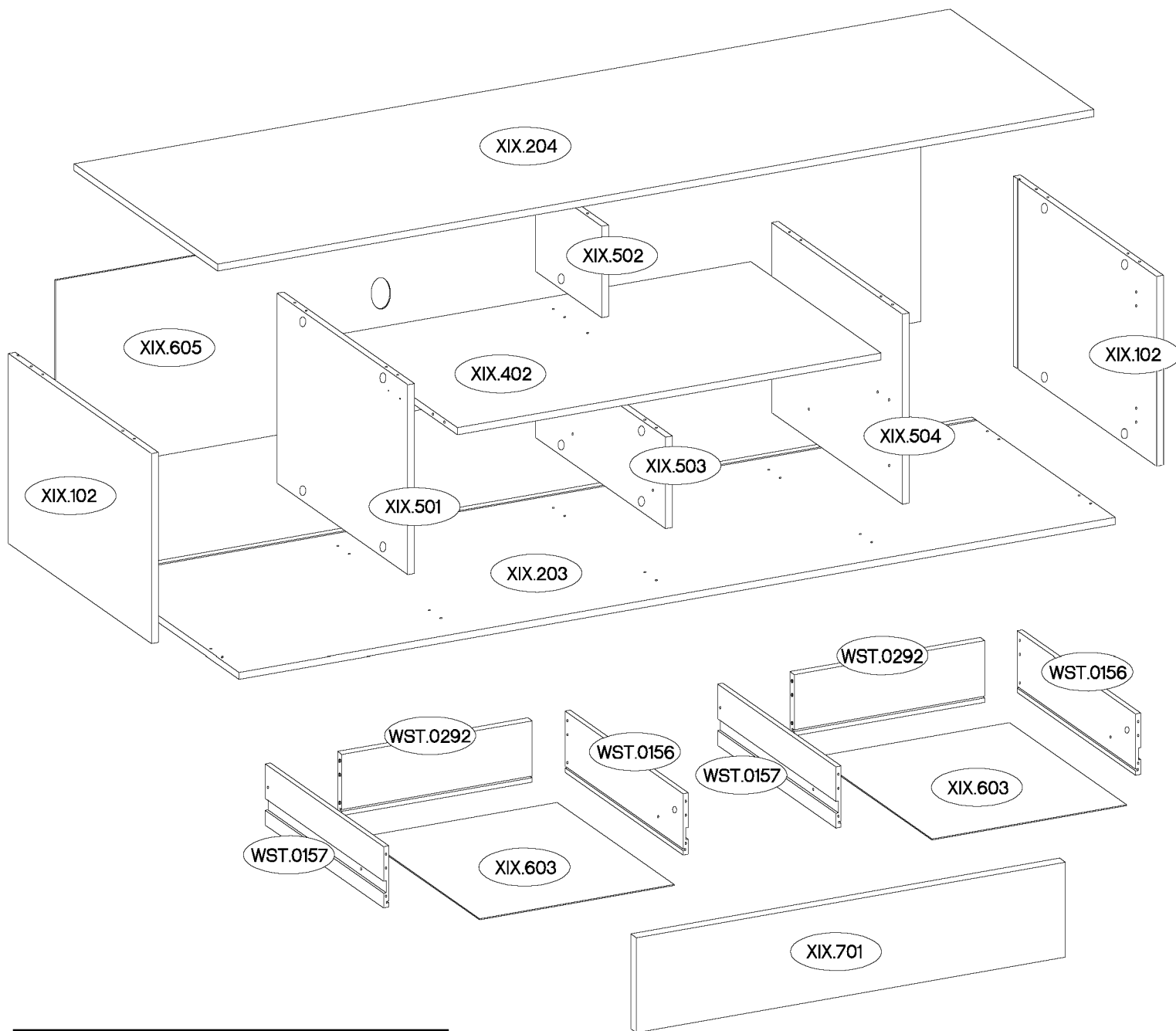
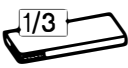
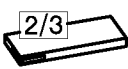
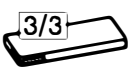
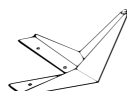


$\varnothing 8 \times 30 \text{mm}$ A	$\varnothing 6 \times 42 \text{mm}$ B2	$\varnothing 15 / 12 \text{mm}$ C	$\varnothing 12 / 10 \text{mm}$ C5						
44	4	26	4						
L=20mm D2	L=56mm D4	$\varnothing 20$ E11	$\varnothing 35 / 16 \text{mm}$ HG2	27/310mm I4	$\varnothing 20 / 8 \text{mm}$ J14	$\varnothing 6,3 \times 13 \text{mm}$ M2	$\varnothing 6,3 \times 20 \text{mm}$ M3	 L	
28	1	18	4	2	4	4	4	16	
 L9	 L33	$\varnothing 10 \times 50 \text{mm}$ O7	$\varnothing 3,5 \times 13 \text{mm}$ P5	$\varnothing 3,0 \times 20 \text{mm}$ P7	$\varnothing 4,0 \times 16 \text{mm}$ R11	L=259mm S	M4x9mm U1		
1	2	1	15	9	20	1	4		

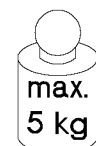
L=130mm F33
5



	XIX.102	434x399x16
	XIX.501	434x365x16
	XIX.502	209x185x16
	XIX.503	209x363x16
	XIX.504	434x365x16
	XIX.402	984x364x16
	XIX.603 x2	453x327x2,5
	WST.0156	330x140x12
	WST.0157	330x140x12
	WST.0292	442x140x12
	XIX.701	996x217x16
	XIX.702	426x496x16
XIX.703	426x496x16	
	XIX.203	2034x400x16
	XIX.204	2034x400x16
	XIX.605	2009x443x2,5
	 F33 x5	



XIX.204




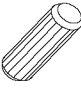
XIX.203

XIX.402

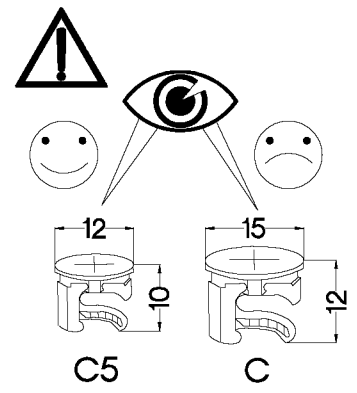
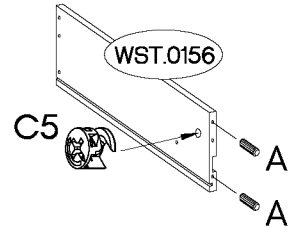
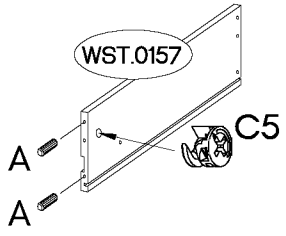
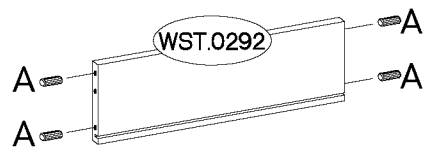
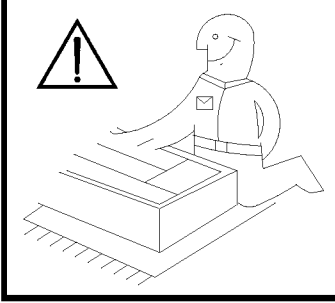


XIX.603

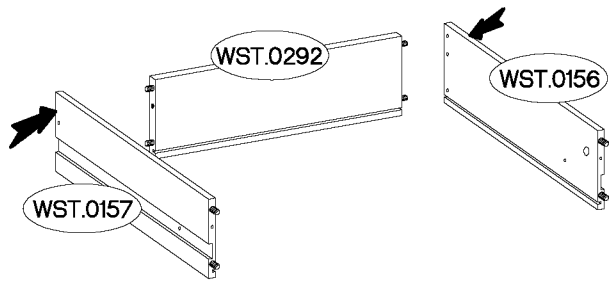
1

†12/10mm  C5 4	†8x30mm  A 16
--	---


x2

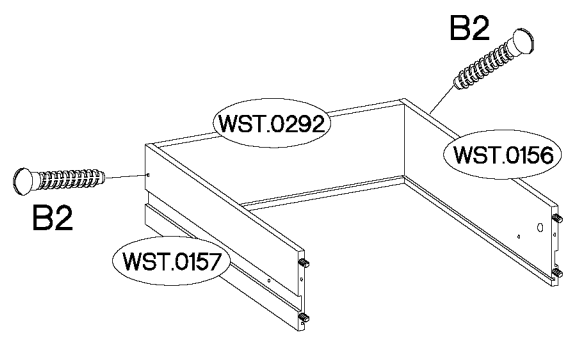
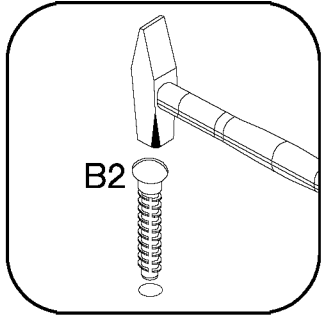


2

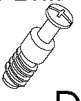


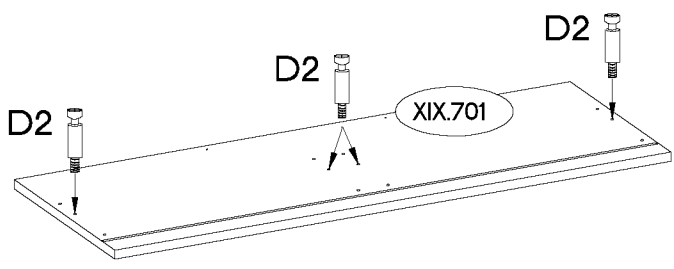
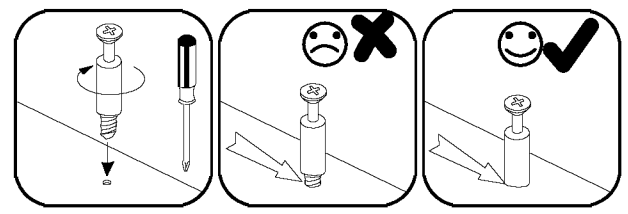
x2

†6x42mm  B2 4
--

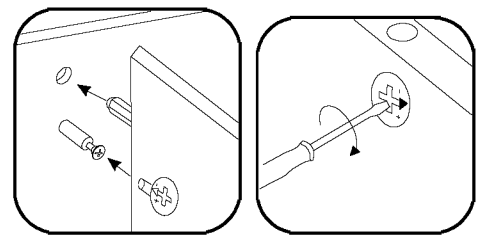
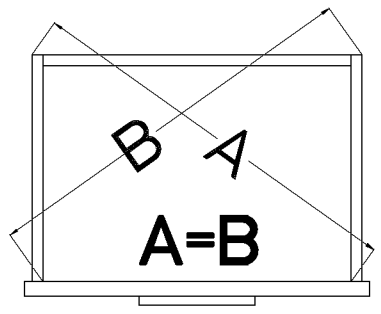
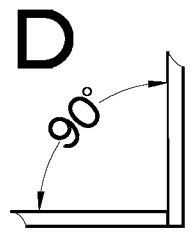
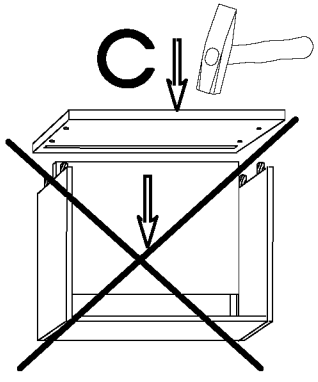
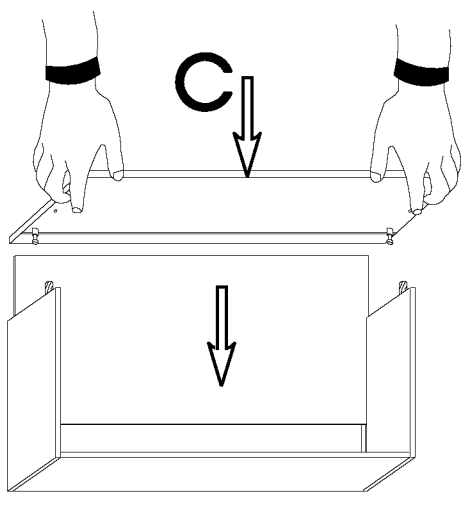
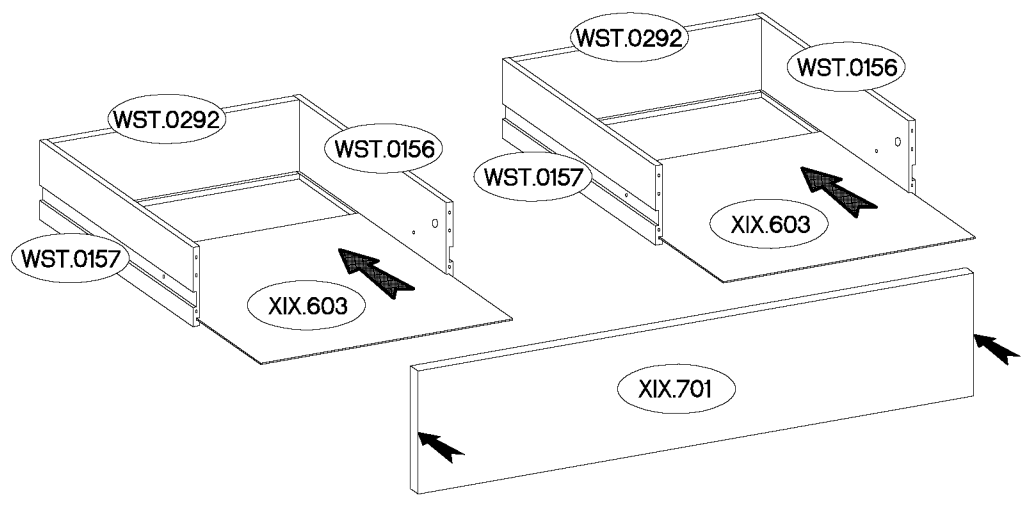
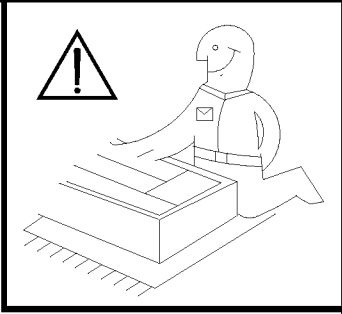


3

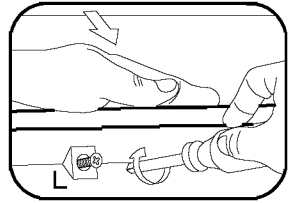
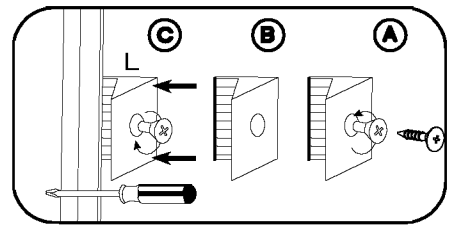
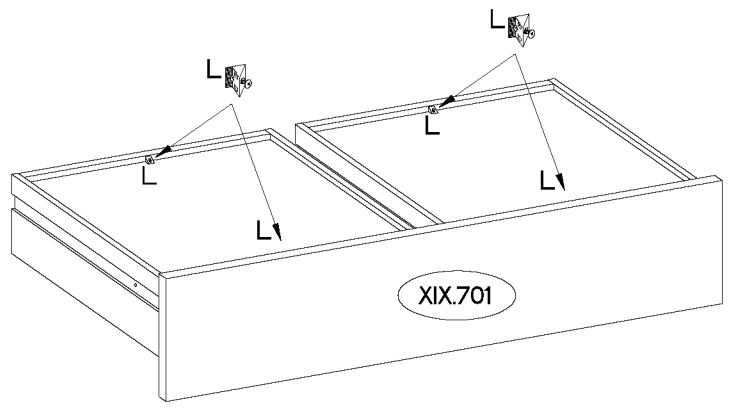
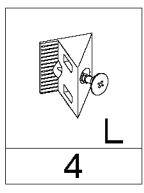
L=20mm  D2 4

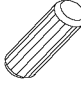


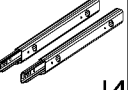

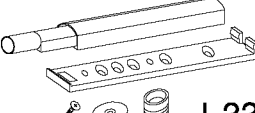



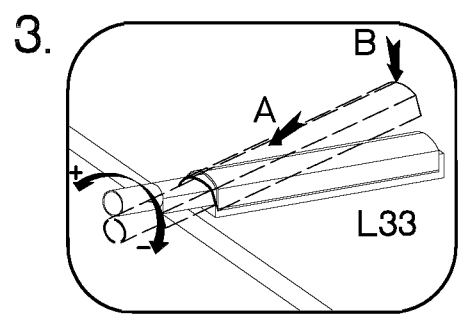
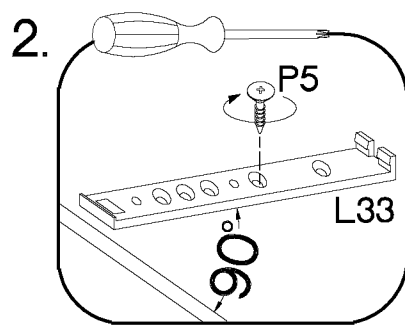
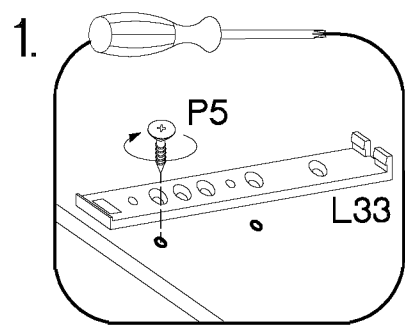
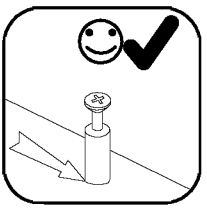
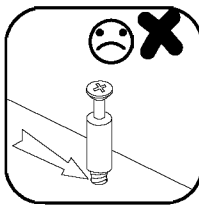
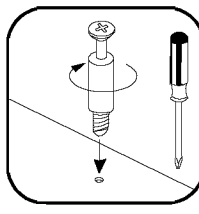
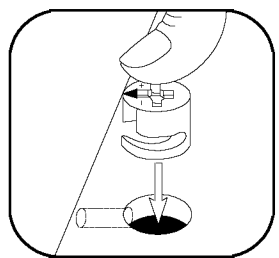
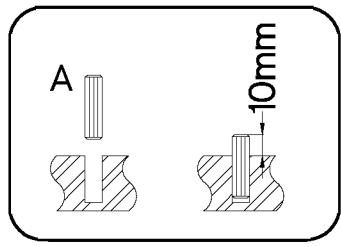
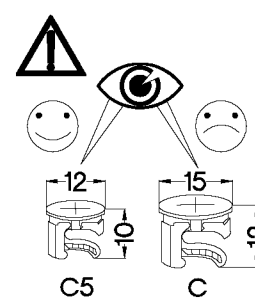
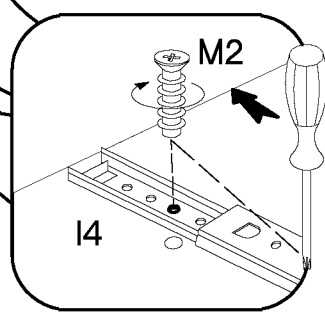
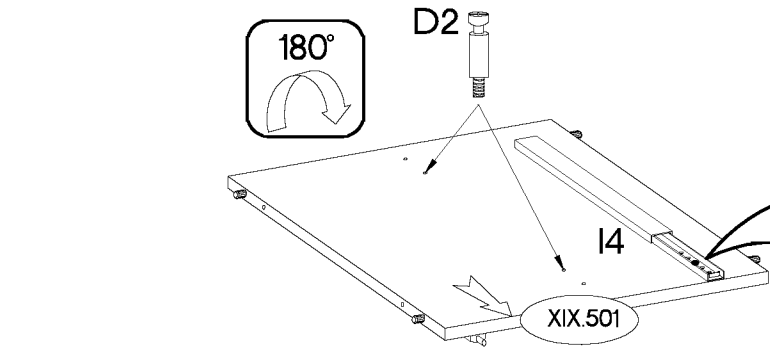
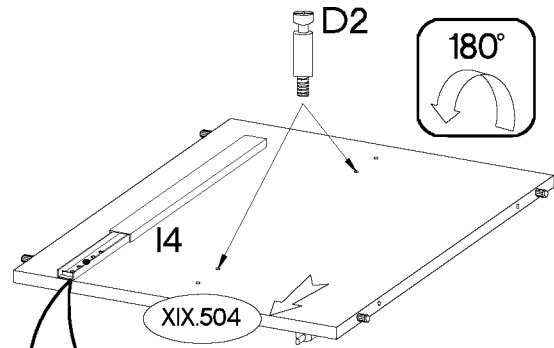
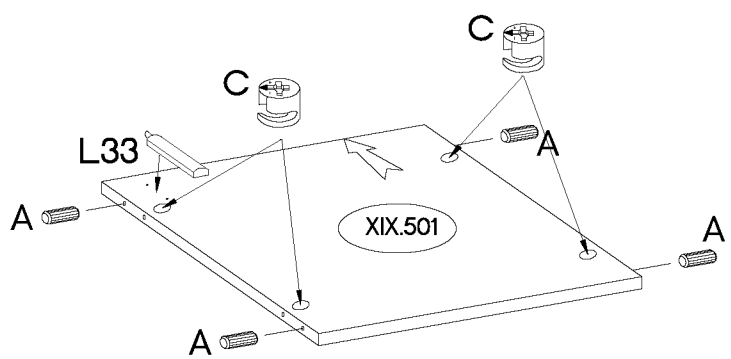
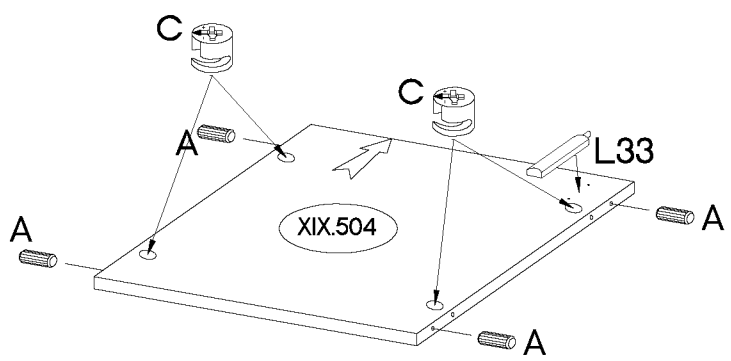
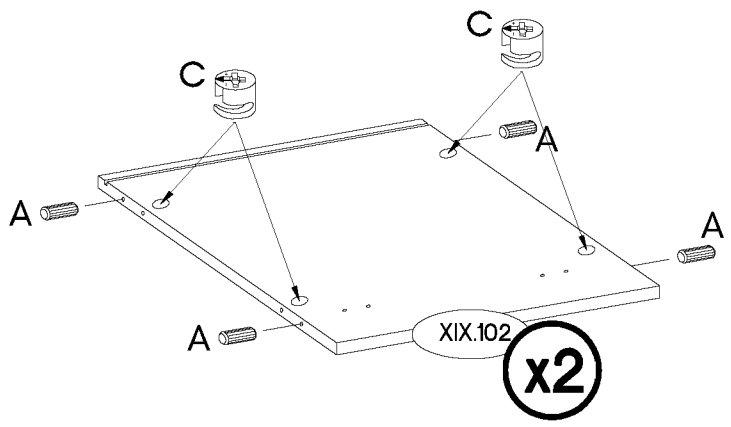
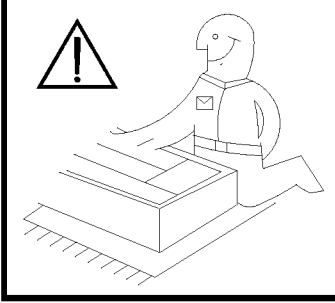
4

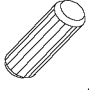

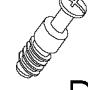
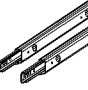

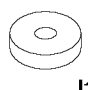


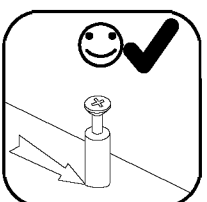
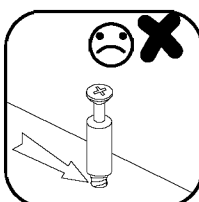
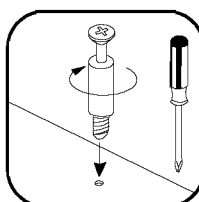
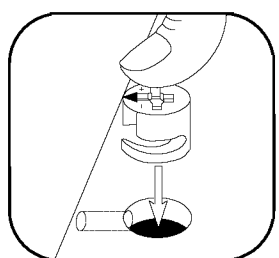
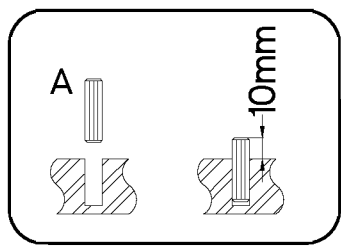
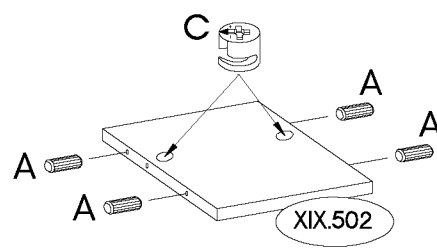
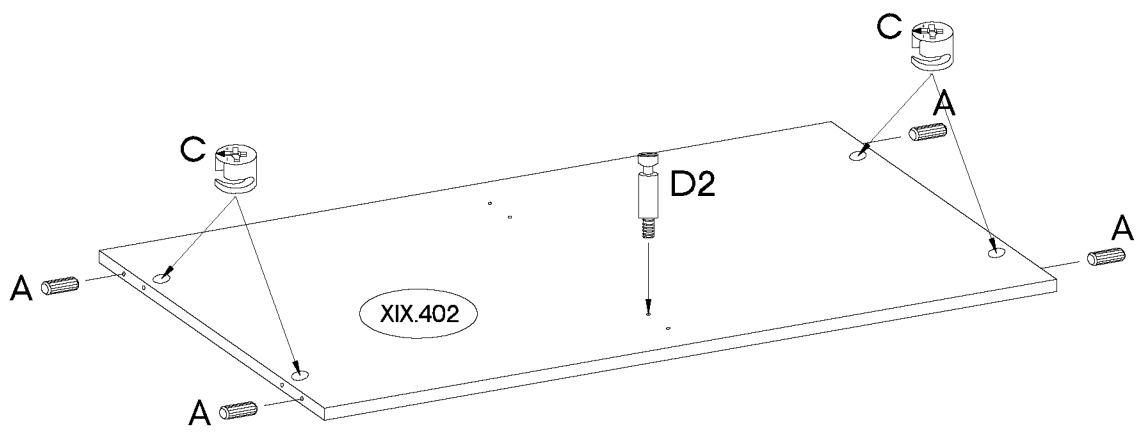
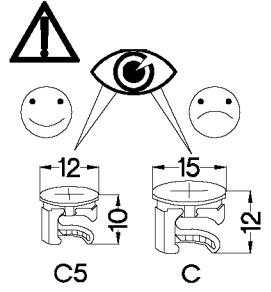
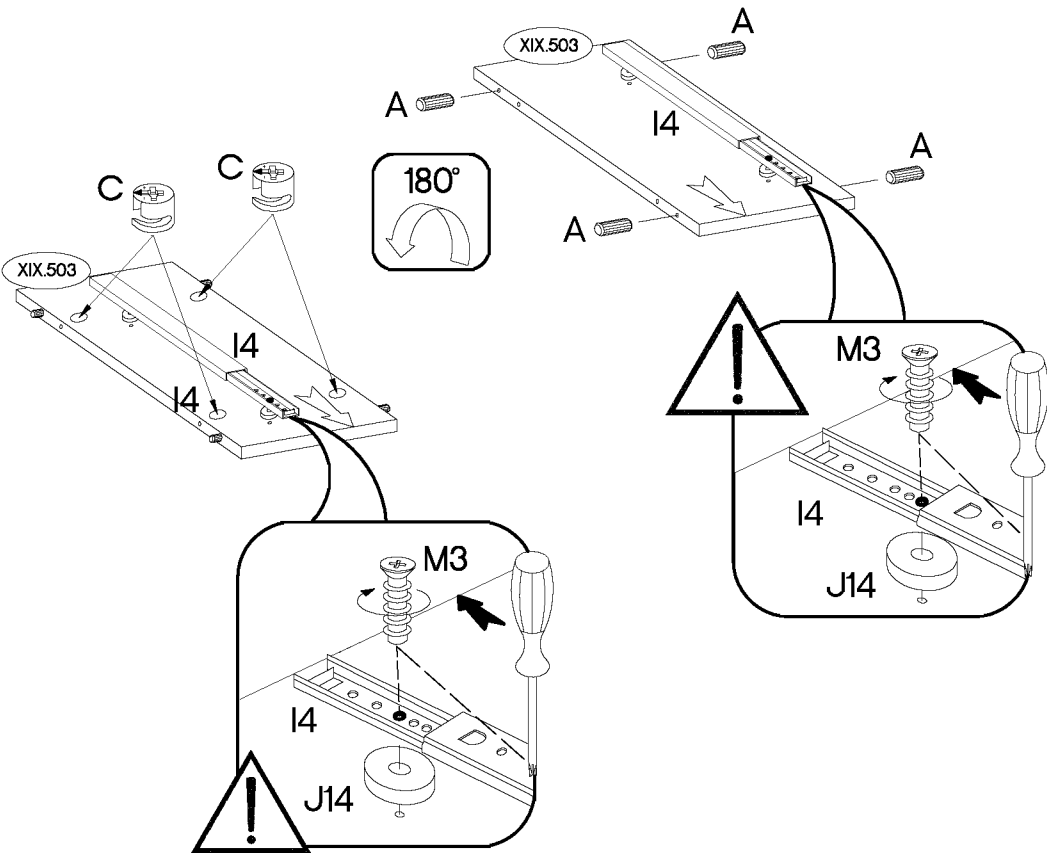
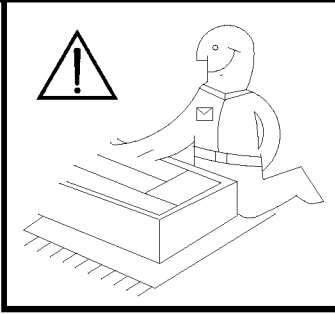
5



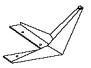


+8x30mm  A	+15/12mm  C	L=20mm  D2	27/310mm  I4	+6,3x13mm  M2	 L33	+3.5x13mm  P5
16	16	4	1	4	2	4

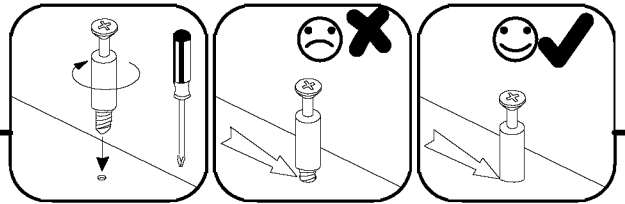
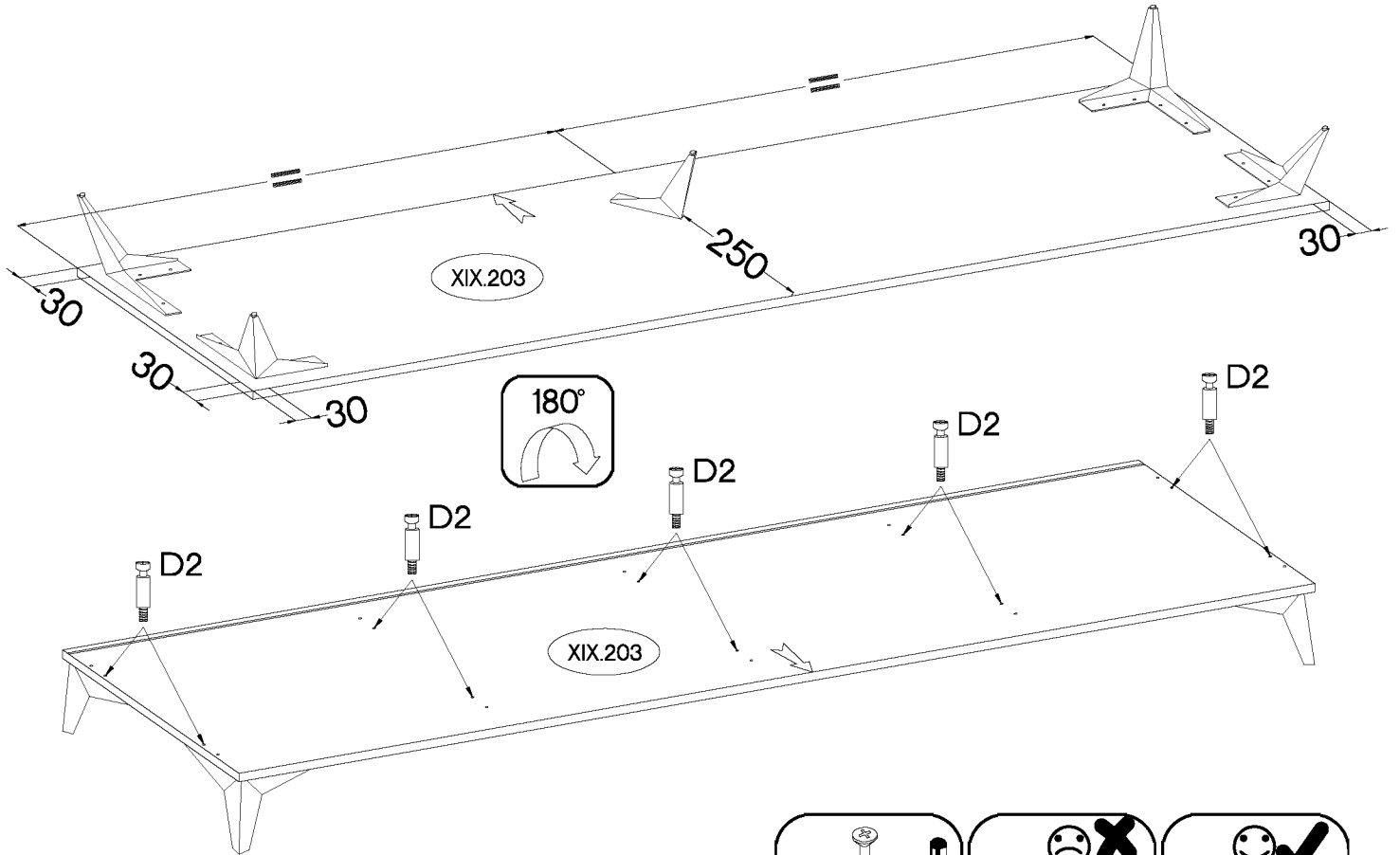
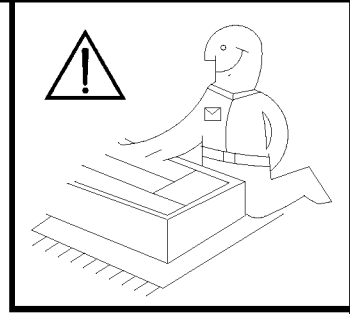
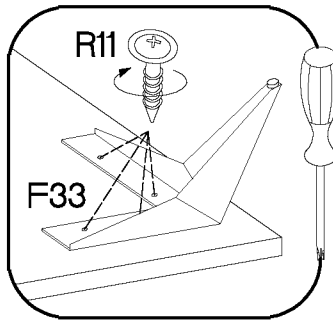


+8x30mm  A 12	+15/12mm  C 10	L=20mm  D2 1	27/310mm  I4 1	+6.3x20mm  M3 4	+20/8mm  J14 4
--	---	---	---	--	---

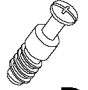


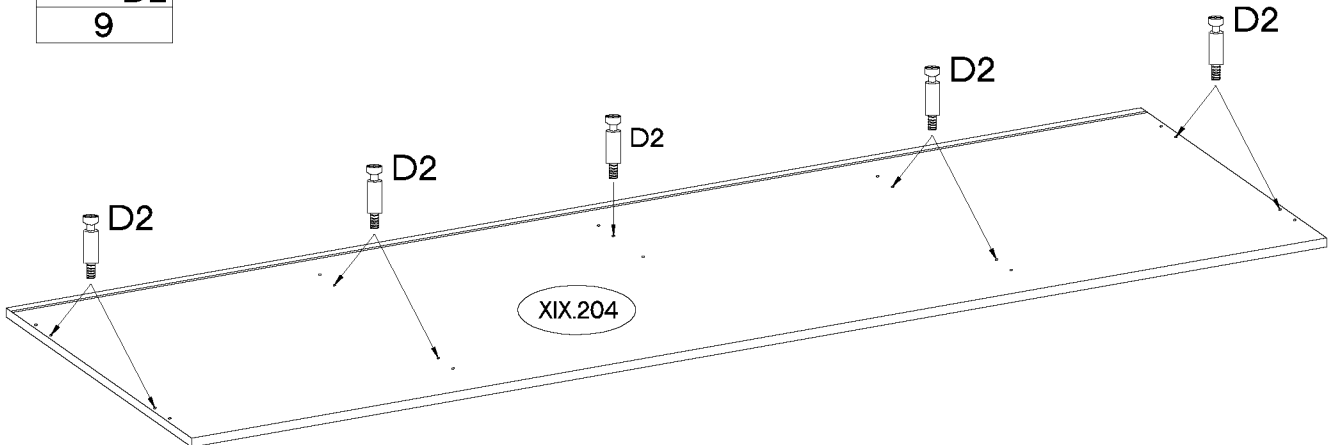
8

L=130mm  F33 5	4.0x16mm  R11 20	L=20mm  D2 10
---	---	--



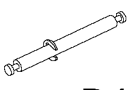
9

L=20mm  D2 9
--



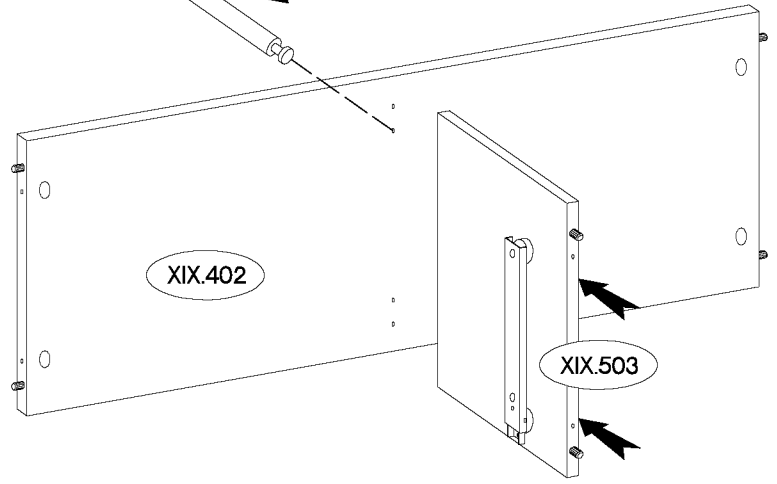
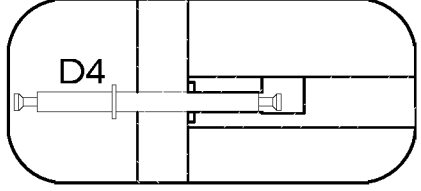
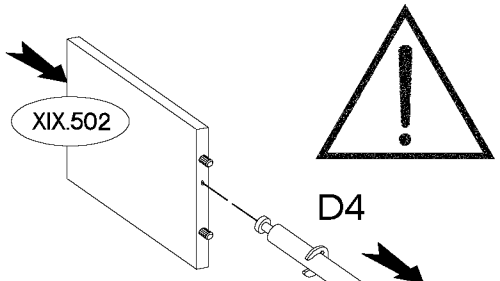
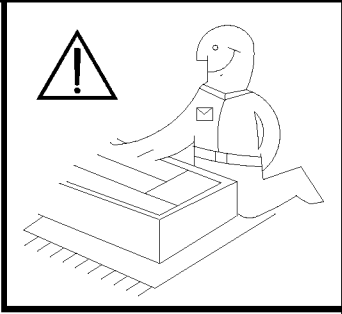
10

L=56mm

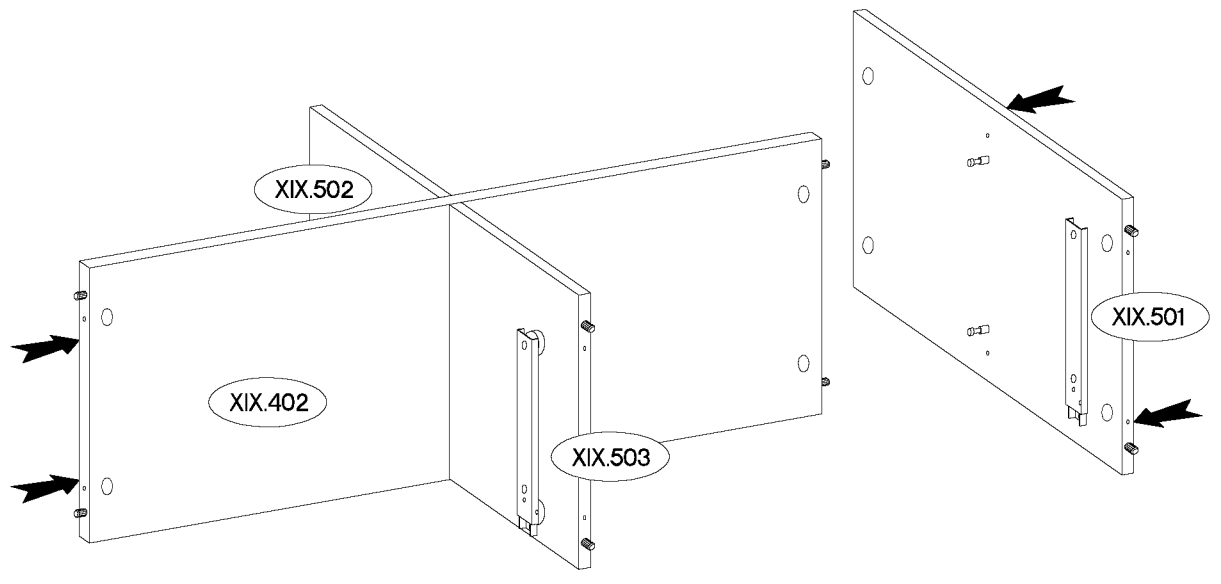
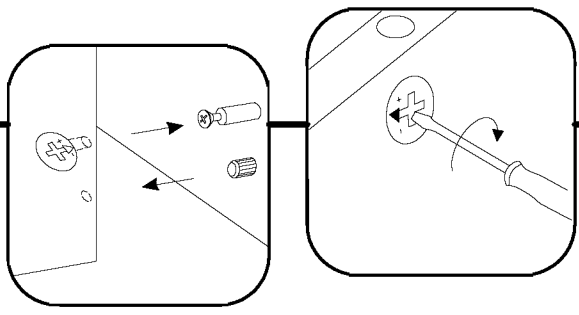


D4

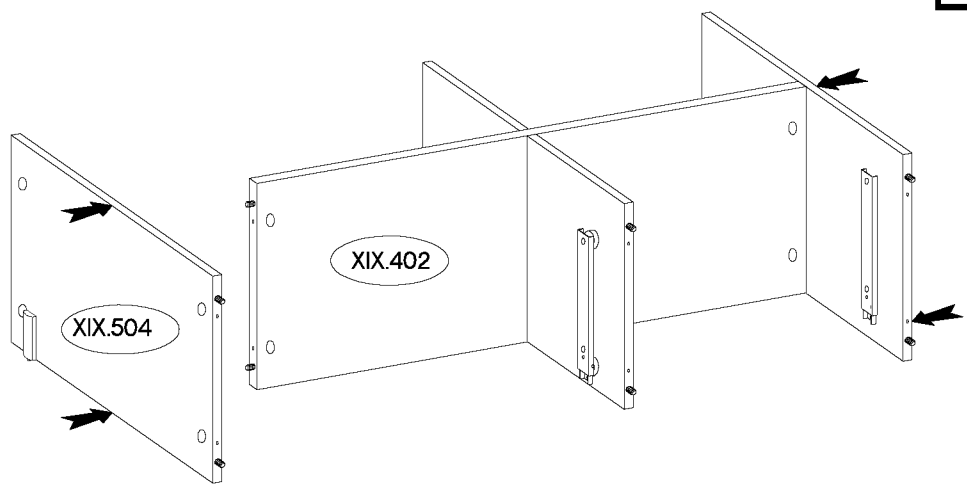
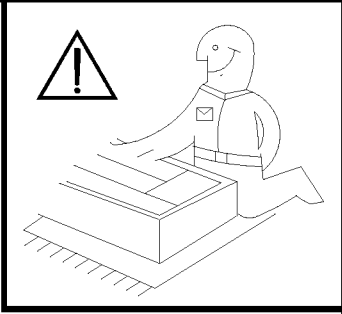
1



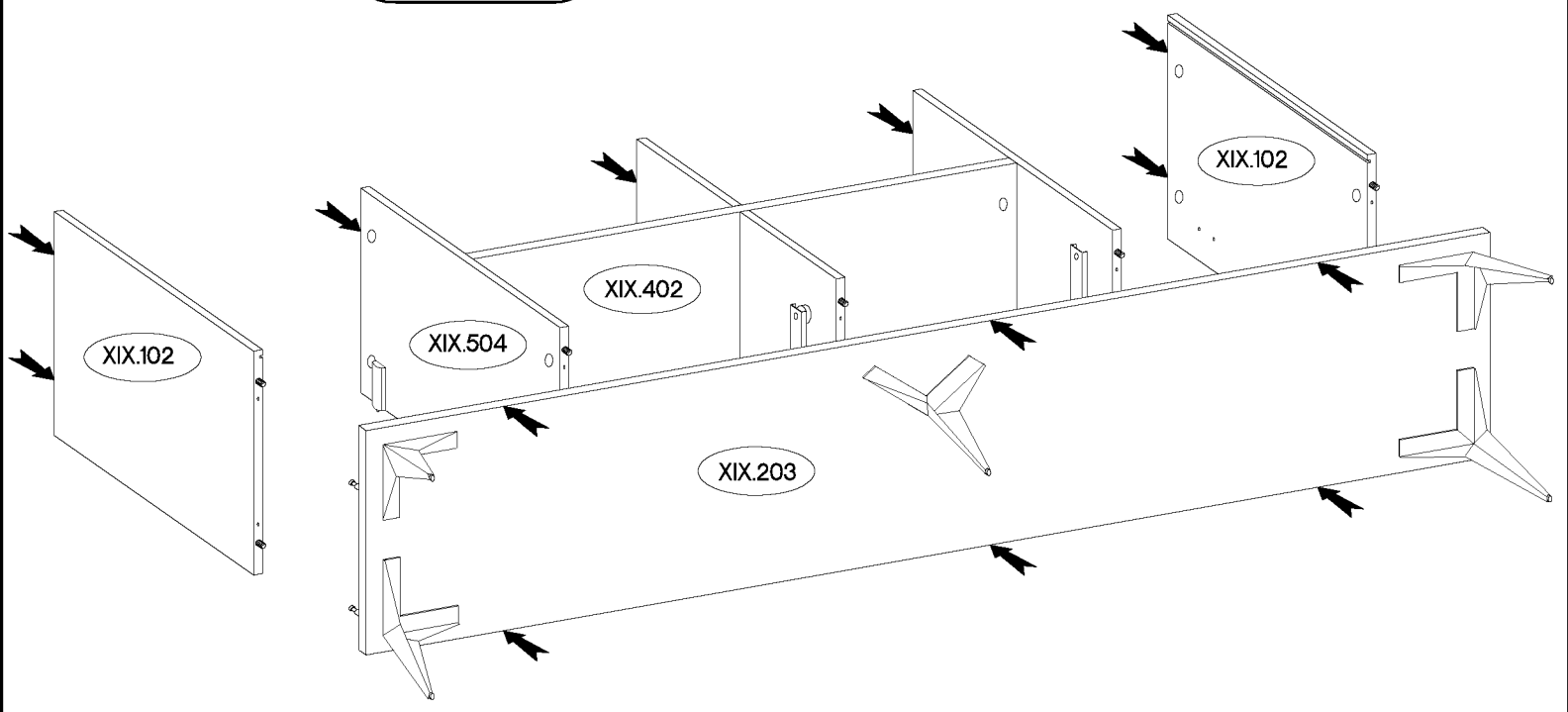
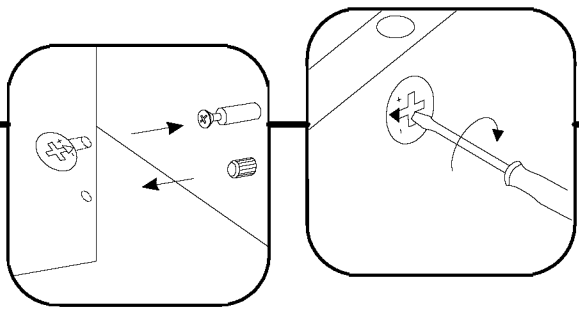
11


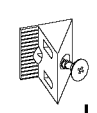


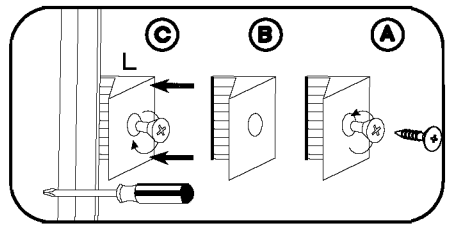
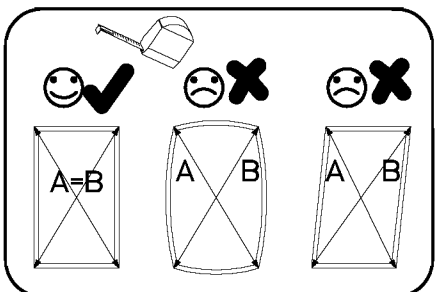
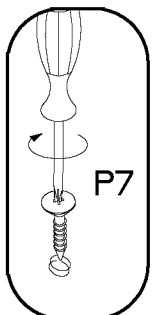
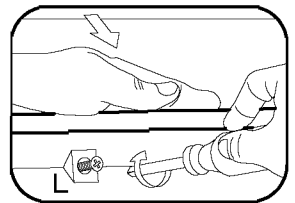
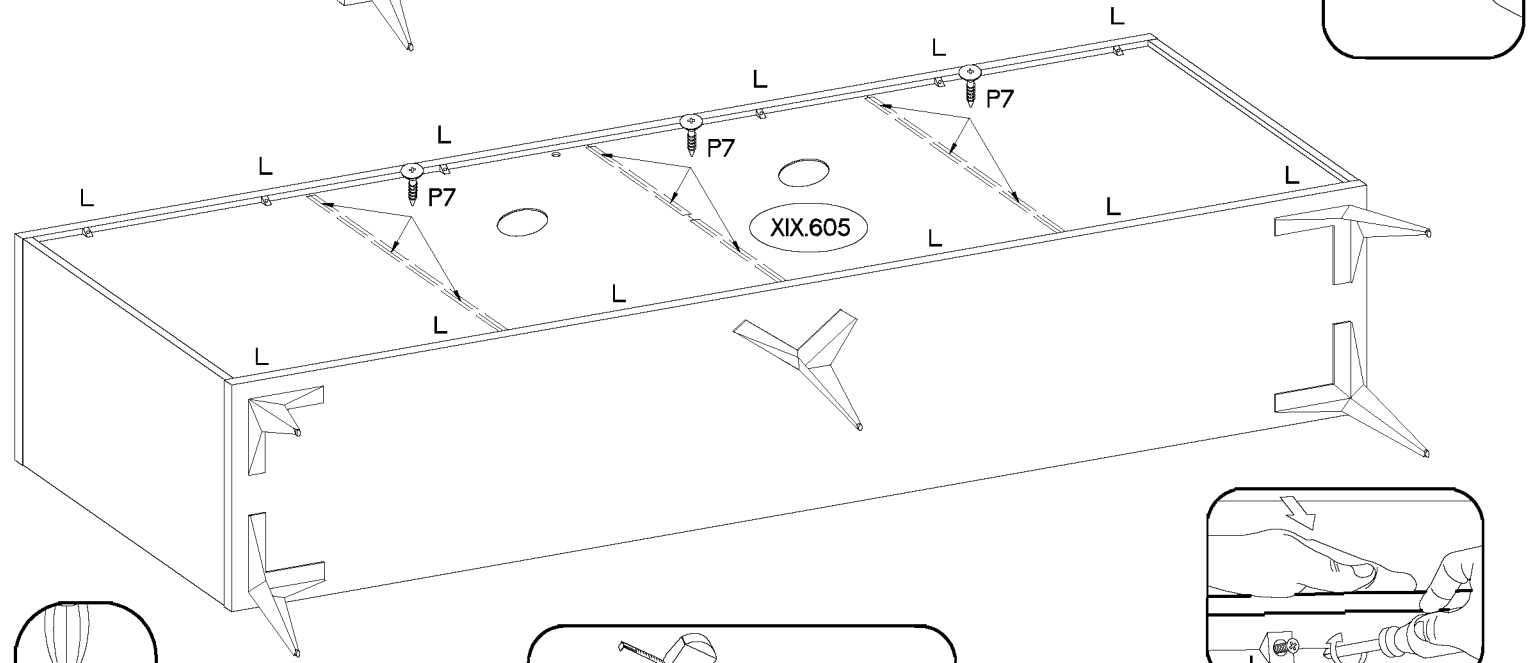
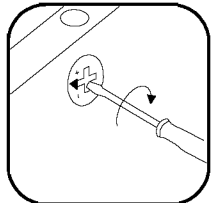
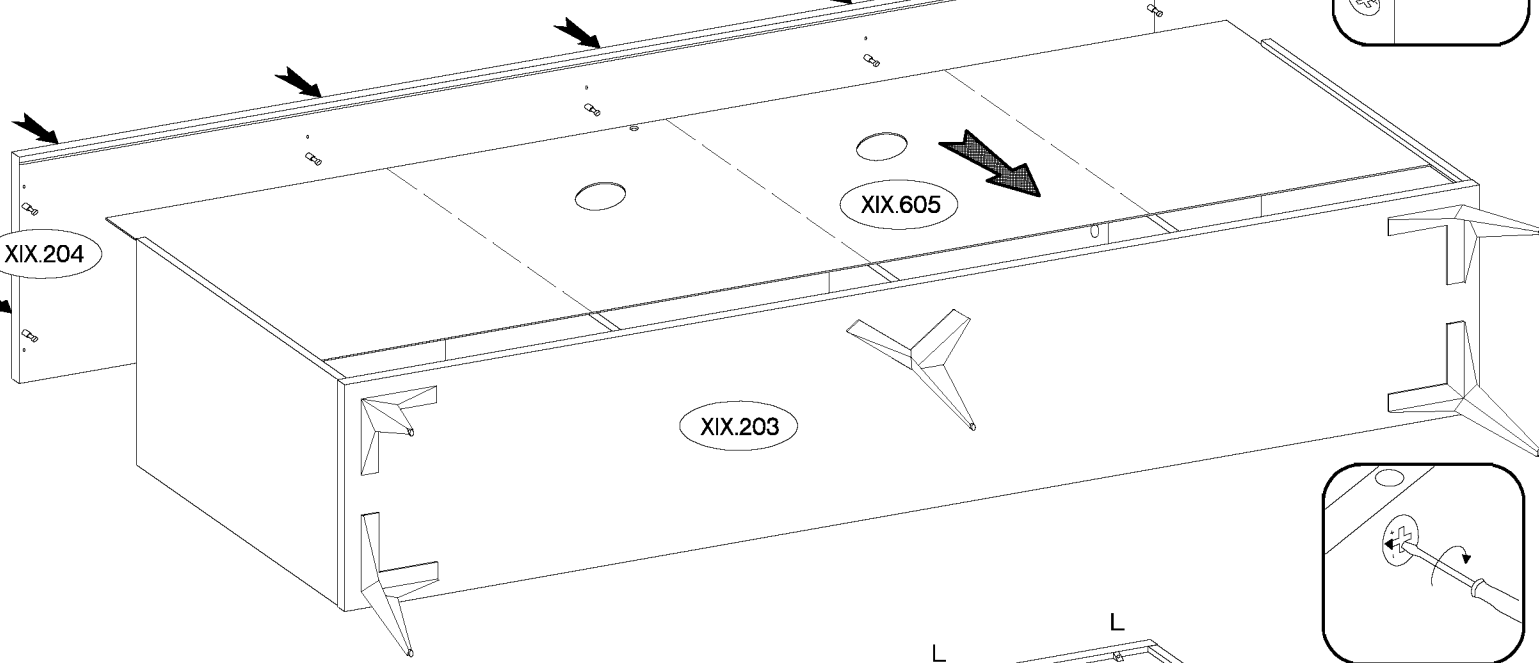
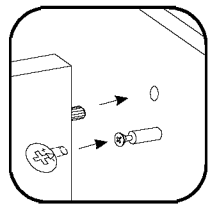
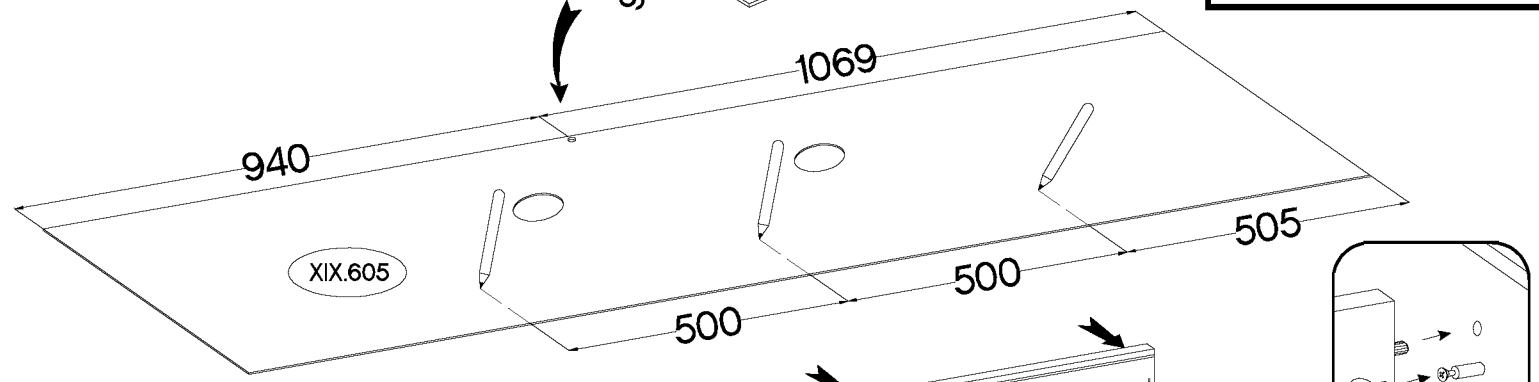
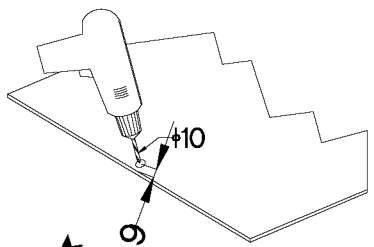
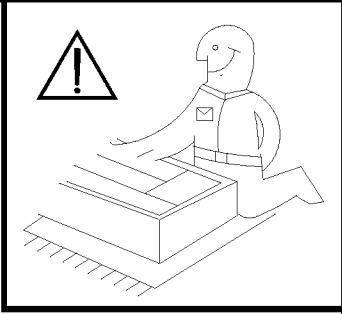
12






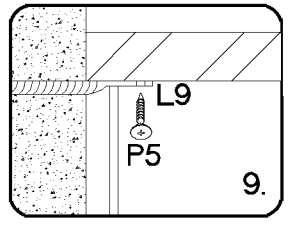
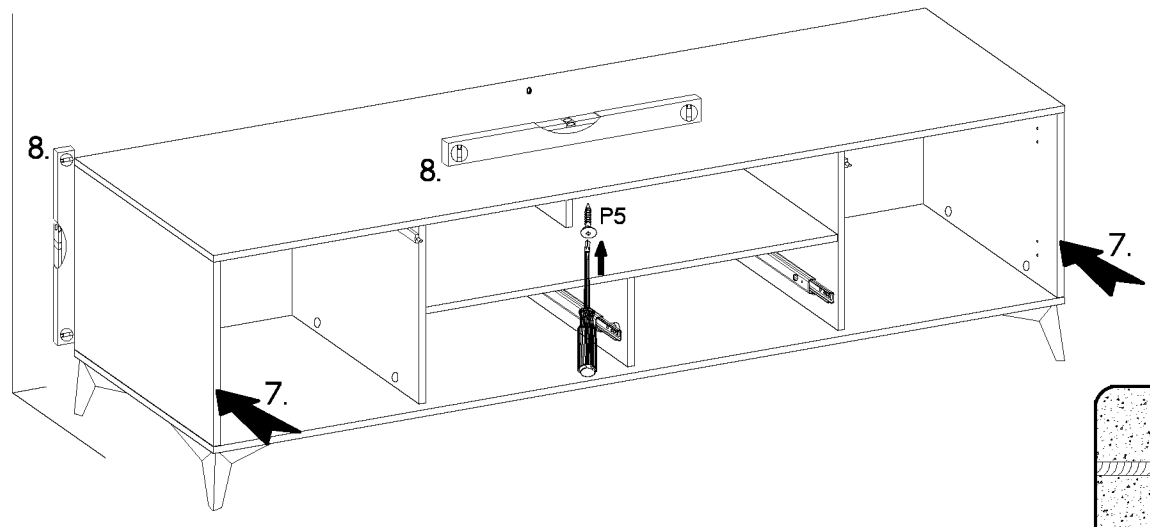
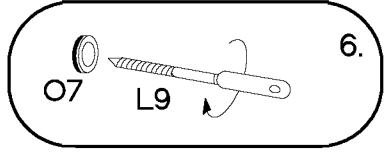
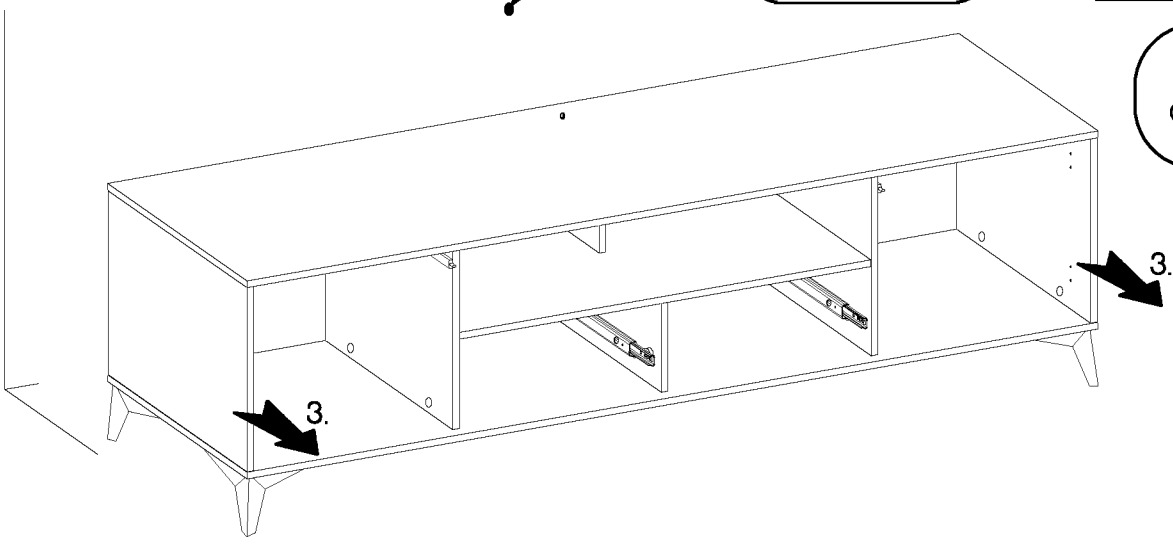
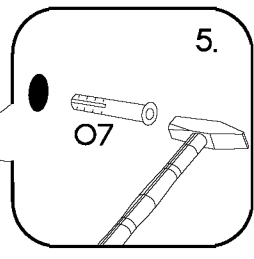
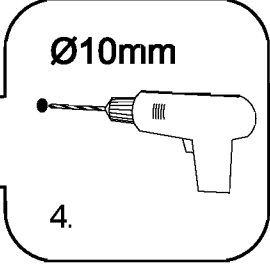
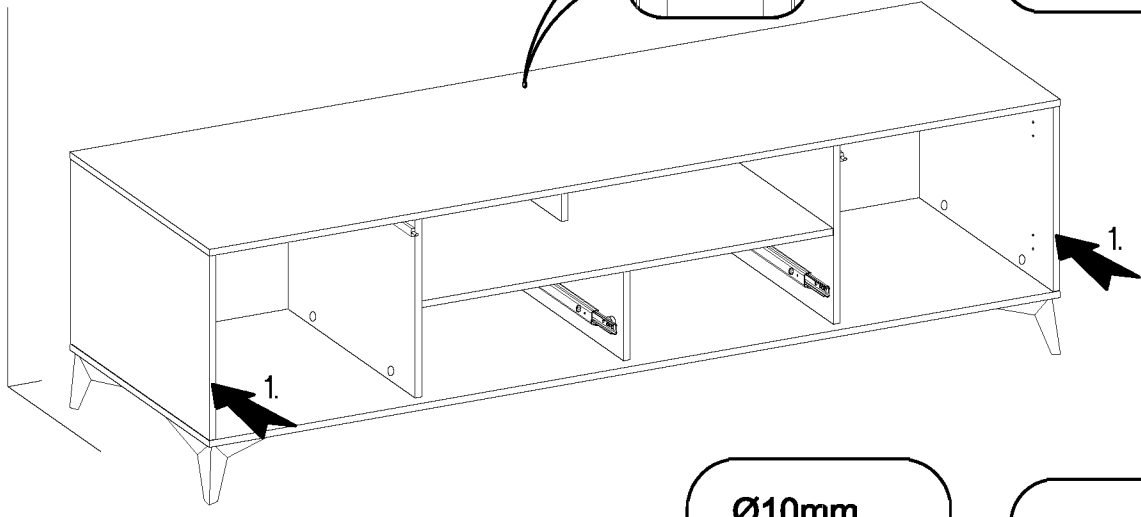
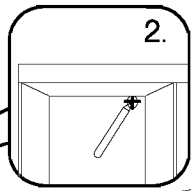
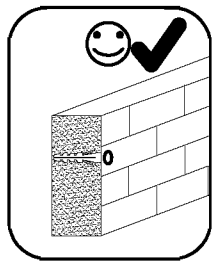
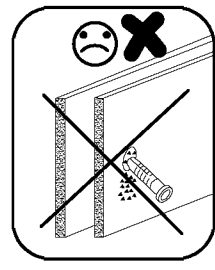
13

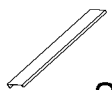


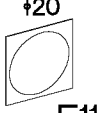


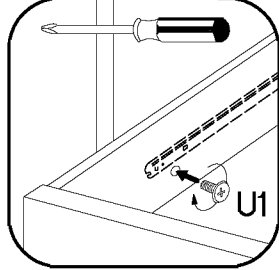
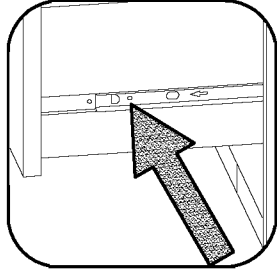
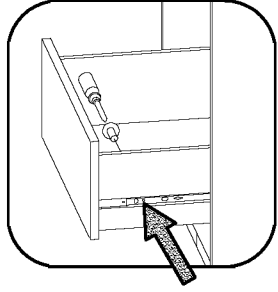
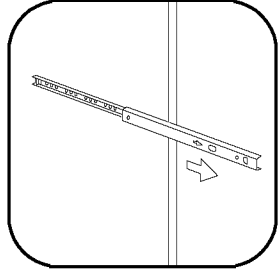
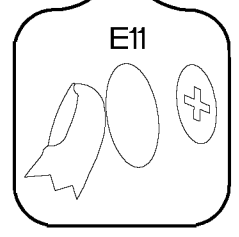
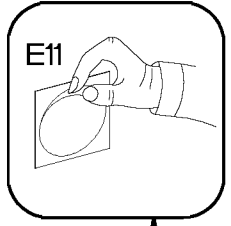
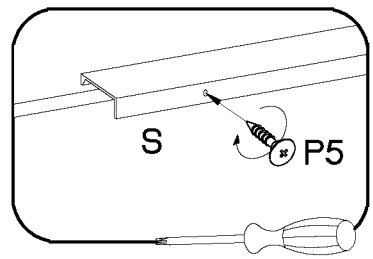
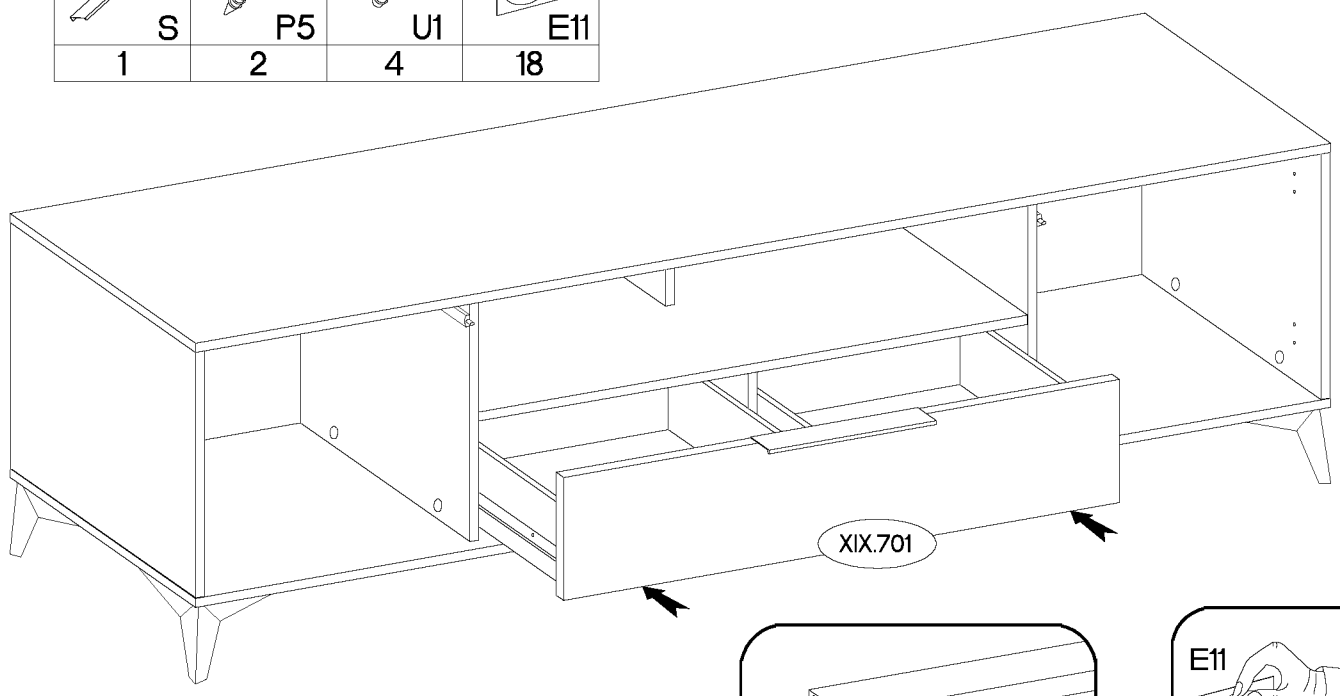
#3.0x20mm	
	
P7	L
9	12







$\pm 10 \times 50 \text{mm}$ 		$\pm 3.5 \times 13 \text{mm}$ 
O7	L9	P5
1	1	1



L=259mm	±3.5x13mm	M4x9mm	±20
			
S	P5	U1	E11
1	2	4	18



±35/16mm	±3.5x13mm	
		
HG2	P5	L33
4	8	2

